



KONICA MINOLTA

AccurioPress 6136/6136P/6120

- ✓ B/W SRA3+ digital press
- ✓ Up to 7,940 A4 pages per hour

In the fast-growing, digital high-volume print market, in-house printers and graphic communications providers have to focus on building up their business by producing a wider range of high-volume jobs more efficiently. For that, they need the best performance available in the market: The AccurioPress 6136 series comprises three models, the fastest of which provides a maximum speed of 7,940 A4 pages per hour. Latest technologies guarantee maximum uptime and outstanding black and white print quality. The superior product outline impresses with a comprehensive range of inline finishing options.



AccurioPress
6136/6136P/6120

B/W PRODUCTION PRINTING SYSTEM

YOUR ADVANTAGES WITH AccurioPress 6136/6136P/6120

DURABLE PERFORMANCE

AccurioPress 6136/6136P

- Up to 136 A4 pages per minute
- Up to 74 SRA3 pages per minute
- Up to 7,940 A4 pages per hour
- Up to 4,274 SRA3 pages per hour

AccurioPress 6120

- Up to 120 A4 pages per minute
- Up to 66 SRA3 pages per minute
- Up to 7,034 A4 pages per hour
- Up to 3,846 SRA3 pages per hour

HIGHEST RELIABILITY

- Long-life platform, long-lasting parts and consumables
- Optimum registration results via ICCU
- Belt transfer system
- For prints with maximum efficiency
- For lucrative short-run printing

READY-MADE PRINT PRODUCTS

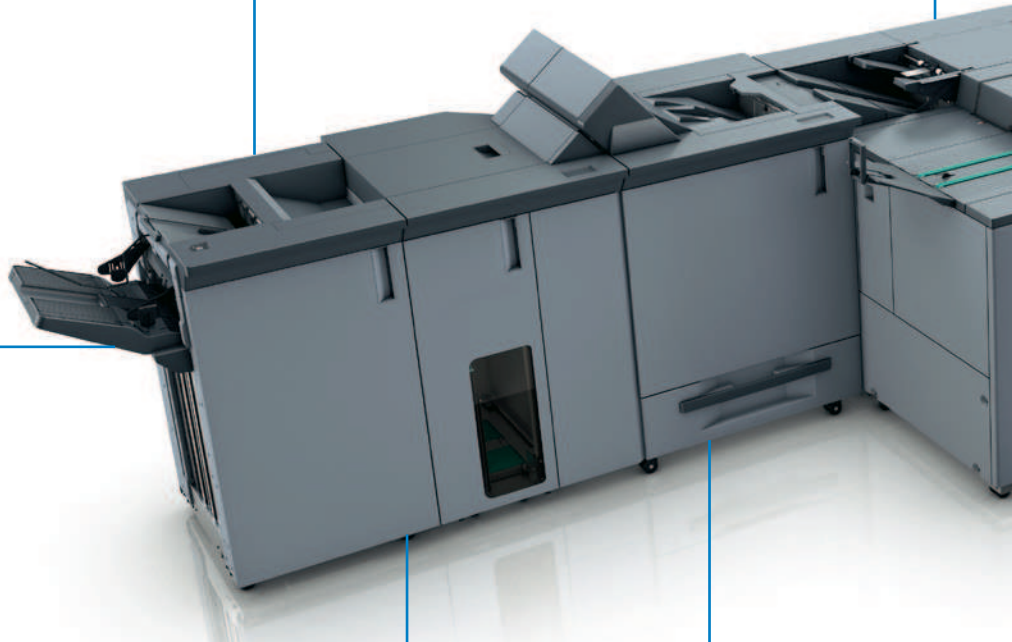
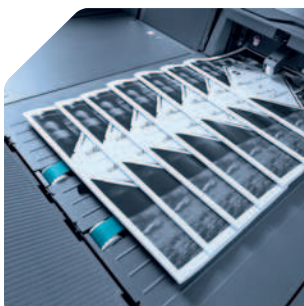
- 50-sheet booklet making with front trimming and optional creasing, slitting and spine corner forming
- 102-sheet auto ring binding
- Perfect binding for books of up to 30 mm
- 100-sheet stapling with cutting mechanism
- For highest automation and enormous productivity
- For more profit in the printroom

GEARED-UP FINISHING

- Multi (GBC) punching and 2- & 4-hole punching
- 6 different types of folding
- Interface for 3rd parties
- Large stacking
- Minimised human interaction
- For optimised budgets

3RD PARTY FINISHING:

- Watkiss PowerSquare™ 224 KR for square back booklet binding
- Plockmatic SD-500/SD-350 booklet maker with square fold
- GBC Punch G2 for heavy duty punching
- For higher flexibility
- For more sophisticated print products





HIGH-END PRINT CONTROL

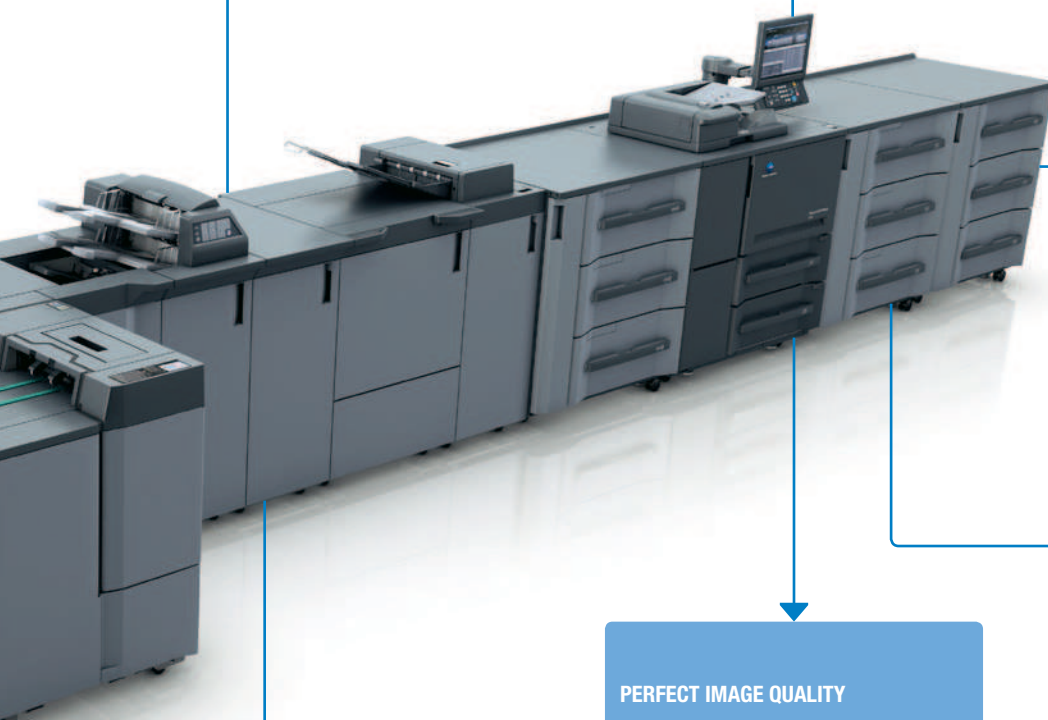
- Proprietary Konica Minolta controller
- For intuitive operation
- Saves time and money

EASE OF USE

- Simple paper catalogue settings
- Easy-to-follow on-screen instructions
- Operator Replaceable Unit Management (ORUM)
- For maximum ease of operation
- Frees operators for more important jobs

SOPHISTICATED MEDIA HANDLING

- Air-suction or air-assist feeding technology
- Up to 18,000-sheet paper input capacity or 14,000-sheet paper input and 5,000-sheet post insertion
- Up to 11 paper input trays
- For enhanced overall productivity
- For extreme cost savings



COMPREHENSIVE MEDIA PROCESSING

- Up to 350 gsm paper weight in simplex & 300 gsm duplex printing
- Skew Detection System to prevent paper skew
- Professional feeding of coated media and envelopes
- Mechanical decurling as standard
- Optional inter-cooler curl eliminator
- For highly flexible print products
- Stands out from the competition

ENVIRONMENTAL AWARENESS

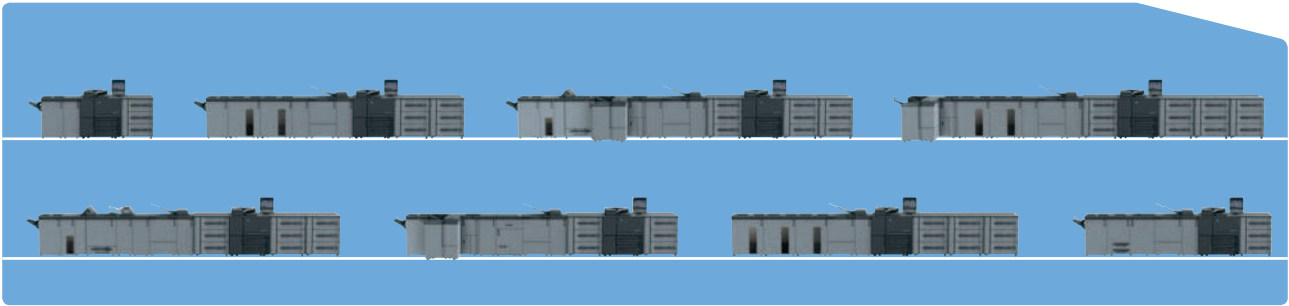
- Green procurement policy
- ISO 14001-certified
- For reduced environmental impact
- Carbon Neutral Printing via "Enabling Carbon Neutrality Program" available

PERFECT IMAGE QUALITY

- 1,200 x 1,200 dpi resolution
- Tone Curve Utility
- Simitri® HD toner technology
- Image density control technology
- For new print applications
- For growing your business

Simitri HD
High Definition Polymerised Toner

Recommended configurations



Technical specifications

SYSTEM SPECIFICATIONS

| | |
|---|---|
| Resolution | 1,200 x 1,200 dpi |
| Paper weight | 40–350 gsm |
| Duplex unit | Non-stack type; 40–300 gsm |
| Paper sizes | Min.: 95 x 139 mm Max.: 324 x 483 mm (with PF-710) |
| Maximum image area | 314 x 483 mm (with PF-710) |
| Paper input capacity | Standard: 3,000 sheets Max.: 18,000 sheets |
| Paper output capacity | Max.: 15,000 sheets (plus sub trays) |
| Main unit dimensions (W x D x H) | 990 x 910 x 1,454 mm |
| Main unit weight | 396 kg |

PRODUCTIVITY

AccurioPress 6136/P

| | |
|-------------------------------|-----------|
| A4 - max. per minute | 136 ppm |
| A3 - max. per minute | 78 ppm |
| SRA3 - max. per minute | 74 ppm |
| A4 - max. per hour | 7,940 pph |
| A3 - max. per hour | 4,526 pph |
| SRA3 - max. per hour | 4,274 pph |

AccurioPress 6120

| | |
|-------------------------------|-----------|
| A4 - max. per minute | 120 ppm |
| A3 - max. per minute | 70 ppm |
| SRA3 - max. per minute | 66 ppm |
| A4 - max. per hour | 7,034 pph |
| A3 - max. per hour | 4,072 pph |
| SRA3 - max. per hour | 3,846 pph |

CONTROLLER

Embedded Konica Minolta Controller

SCANNER SPECIFICATIONS*

| | |
|------------------------|---|
| Scan speed A4 | Up to 240 ppm |
| Scan resolution | 600 x 600 dpi |
| Scan modes | TWAIN scan; Scan-to-HDD; Scan-to-FTP; Scan-to-SMB; Scan-to-eMail |
| Scan formats | TIFF; PDF; Encrypted PDF; XPS; CompactPDF; JPEG |

COPIER SPECIFICATIONS*

| | |
|------------------------|-----------------------------|
| Gradations | 256 gradations |
| FCOT | Less than 2.6 sec. (A4 LEF) |
| Magnification | 25–400%, in 0,1% steps |
| Multiple copies | 1–9,999 |

ACCESSORIES

| | |
|--|-----------------|
| Integrated Color Care unit | IQ-501 |
| Air assist paper feed unit | PF-709 |
| Pre-printed paper feed kit for PF-706 | PP-701 |
| Air suction paper feed unit | PF-710 |
| Heating unit for PF-710 | HT-506 |
| Post Insertion unit | PI-PFU |
| Relay unit | RU-518 |
| Humidification unit | HM-103 |
| Multi (GBC) punching unit | GP-501 |
| Relay unit | RU-510 |
| Auto ring binding unit | GP-502 |
| Folding and punching unit | FD-503 |
| Stacking unit | LS-506 |
| Booklet making unit | SD-506 |
| Booklet making unit | SD-513 |
| Creasing unit for SD-513 | CR-101 |
| Slitting unit for SD-513 | TU-503 |
| Spine corner forming unit for SD-513 | FD-504 |
| Perfect binding unit | PB-503 |
| Stapling unit | FS-532 |
| Saddle stitch kit for FS-532 | SD-510 |
| Punch kit for FS-532 | PK-522 |
| Post inserter for FS-532 | PI-502 |
| Open Stacker | OT-510 |
| Envelop fuser | EF-105 |
| Mount kit for 3rd party | MK-737 |
| Removable HDD Kit | RH-101 & HD-511 |
| Watkiss PowerSquare™ 224KR | |
| Plockmatic | SD-500/SD-350 |
| GBC Punch G2 | |

- All specifications refer to A4-size paper of 80 gsm quality.
- The support and availability of the listed specifications and functionalities varies depending on operating systems, applications and network protocols as well as network and system configurations.
- The stated life expectancy of each consumable is based on specific operating conditions such as page coverage for a particular page size (5% coverage of A4).
- The actual life of each consumable will vary depending on use and other printing variables including page coverage, page size, media type, continuous or intermittent printing, ambient temperature and humidity.
- Some of the product illustrations contain optional accessories.
- Specifications and accessories are based on the information available at the time of printing and are subject to change without notice.
- Konica Minolta does not warrant that any prices or specifications mentioned will be error-free.
- All brand and product names may be registered trademarks or trademarks of their respective holders and are hereby acknowledged.

ENABLE YOUR BUSINESS WITH PRINT AUTOMATION

Print Automation

“Gain time for more important things.”

With suitable print automation software, you optimise internal production routines, achieve greater staff efficiency, and thus enhance your production capacity. This ultimately enables you to produce more with less, without compromising on your high quality standards. The easy integration of digital devices into existing offset workflows through the print controller provides you with a new kind of print automation.

Inline Finishing

“Put tailor-made print products at your fingertips.”

As a print provider, you are always expected to do more with less! Inline finishing provides a great opportunity to reduce lead time and costs without compromising on quality and service. Printers who do not invest will pay the price by falling behind those that have invested in inline finishing, because it provides such a significant operational advantage. Never forget: time is money!

Book Publishing

“Open your eyes to new business.”

The printing landscape has changed, and flexible print providers can benefit from this development by producing a range of bound documents including books, calendars, magazines, and photo albums. InfoTrends expects the book-printing market to grow by 16.7% over their seven-year forecast period, which means that the print volume from book publishing will come to almost 54 billion pages by 2016. In other words, on-demand book publishing is a new business field that is well worth looking into!* With Konica Minolta you have an even stronger argument due to automated production.

* Source: InfoTrends

Advantages

- Enhance production flexibility, efficiency and competitiveness
- Benefit from less human involvement through automated job handling
- Take full advantage of the benefits of digital printing
- Meet the continually increasing demand for short-run printing
- Enjoy ease of use, features, reliability and seamless integration

